

VRM KL RDM

HYDRAULIC CASING OSCILLATOR
HYDRAULIC CASING ROTATOR



VRM TYPE

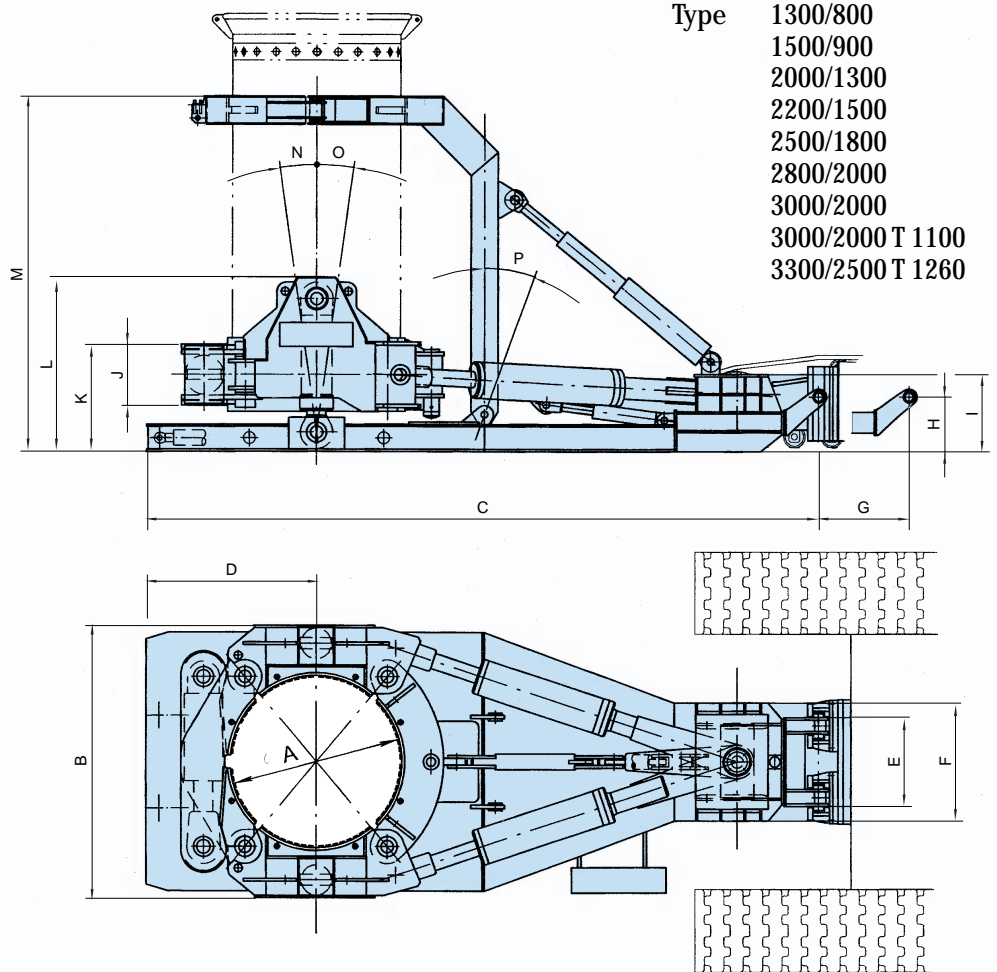
HYDRAULIC CASING OSCILLATOR

GENERAL REMARKS

regarding hydraulic casing oscillator

The hydraulic casing oscillators have been designed in accordance with the latest technical know-how. Extremely sturdy construction guarantees worth-while use on site. By means of exact statical calculations in conjunction with higher quality material, an optimum conformity of loads, weight and material strenght is archived. The internal welding stresses, not easily determined for the statical calculation, and which would affect the construction considerably, are eliminated by means of stress relieving prior to machining. A prominent feature of the equipment is the clamping collar consisting of five links operating on the boring implement. The individual links surround the casing like a chain so that a constant surface pressure is exerted on the casing circumference. In addition, the large height of the collar (400 and 700 mm. resp.) prevents any damage to the casings. By means of easily exchangeable reducer pieces the oscillator can be converted, within a few minutes, to a smaller casing diameter. The collar opens uniformly and enables unproblematic insertion of the casing with the cutting shoe. Another advantage of the machine is the low height on the excavator side. The excavator can be swivelled by 360° in the coupled condition. Attachment at the excavator itself is torque rigid and guarantees the transmission of the full rotating movement of 25° to the casing if the excavator is firmly situated.

The design and construction of the casing oscillator is based on the experience of many years of co-operation with companies specializing in pile foundations. In view of the high costs which would result from a breakdown of the equipment on site, great importance has knowingly been set on exceptionally sturdy construction.



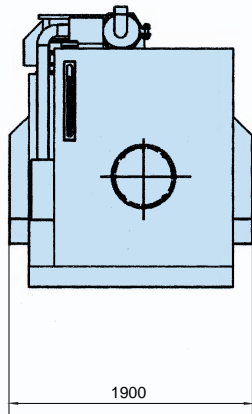
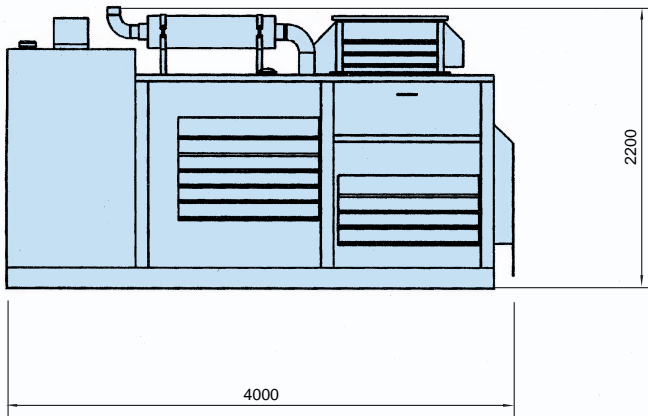
		VRM 1300	VRM 1500	VRM 2000	VRM 2200	VRM 2500	VRM 2800	VRM 3000	VRM 3000T 1100	VRM 3300T 1260
A	Max Casing diam.	mm	1300	1500	2000	2200	2500	2800	3000	3300
B	Width of machine	mm	2350	2850	3200	3400	4000	4300	4500	4880
C	Length of machine	mm	6500	6500	7500	7500	8800	9100	9140	10470
D	Min. spacing	mm	1200	1300	1600	1730	2230	2400	2600	2950
E	Width of cradle	mm	1015	1015	1015	1015	1015	1015	1015	1015
F	Width of machine excavator side	mm	1200	1400	1400	1400	1500	1500	1500	1600
G	Cradle path	mm	1300	1600	1300	1300	-	-	-	-
H	Axis excavator cradle	mm	700	700	700	700	700	700	700	700
I	Height of machine excavator side	mm	870	870	900	940	1130	1130	1165	1225
J	Height of cradle guide	mm	600	650	650	650	700	700	800	800
K	Height from ground to top of cradle guide	mm	1100	1200	1300	1300	1400	1400	1500	1620
L	Height of machine	mm	1800	1850	1950	2050	2580	2580	2610	2730
M	Height of casing guide	mm	2820	3220	3220	3220	-	-	-	-
N	Angle of inclination, in front	°	6°	6°	6°	6°	-	-	-	-
O	Angle of inclination, in rear	°	8°	8°	8°	8°	-	-	-	-
P	Angle of inclination (casing guide)	°	20°	20°	20°	20°	-	-	-	-

Stroke	mm	600	600	600	600	650	650	650	650	650
Lifting force	kN	1530	2050	2650	2650	5150	7250	7250	7250	9000
Clamping force	kN	1320	1660	2170	2170	3780	4780	4780	4780	5100
Rotation angle	°	25°	25°	25°	25°	25°	22°	21°	21°	24°
Torque	kNm	1660	2900	4110	4520	7070	8000	8350	11000	12620
Operating pressure	bar	270	270	270	270	300	300	300	300	300
Travel of casing	mm	284	327	436	480	546	538	550	550	690
Weight	t	12	17	25	27	40	48	52	54	63

ACCESSORIES

POWER PACK TYPE PP 616/300

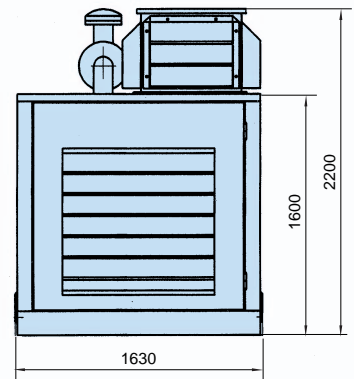
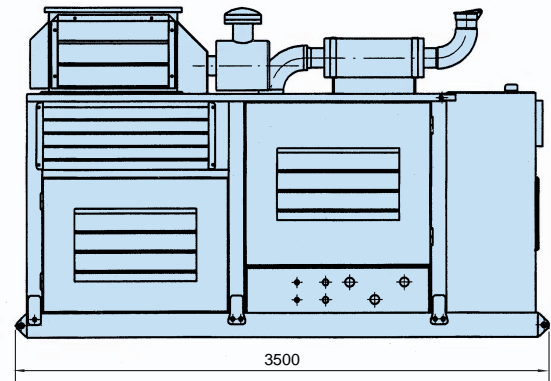
for VRM 2500 + VRM 3000
RDM 1500 + RDM 2000



Motor		Deutz BF 6M 1015C
Power	kW (HP)	220 (300)
Revolutions	rpm	2000
Pumps Output	l/min	2 x 208 + 1 x 200
Operation pressure	bar	270 (max. 300)
Capacity Hydr. Oil/Fuel	l	2200 / 460
Dimensions LxWxH	mm	4000 x 1900 x 2200
Operation Weight	kg	6800
Specific Fuel Consumption	g/kW.h	189

POWER PACK TYPE PP 230/200

for VR 1500 + VRM 2000



Motor		Caterpillar 3306 DI-II
Power	kW (HP)	169 (230)
Revolutions	rpm	2000
Pumps Output	l/min	2 x 200
Operation pressure	bar	270 (max. 300)
Capacity Hydr. Oil/Fuel	l	1300 / 400
Dimensions LxWxH	mm	3500 x 1630 x 2200
Operation Weight	kg	5500
Specific Fuel Consumption	g/kW.h	220

SOILMEC distributes machinery and structures all over the world, supported by SOILMEC subsidiary companies and representative offices as:

SOILMEC LTD - U.K.

SOILMEC MISR S.A.E. Co. - Egypt

SOILMEC (H.K.) Limited - Hong Kong

SOILMEC JAPAN CO LTD - Japan

SOILMEC S.P.A. - Beijing Repr. Office - P.R. China

SOILMEC FAR EAST PTE.LTD - Singapore

SOILMEC EMIRATES - U.A.E.

SOILMEC GULF - U.A.E.

CERTIFIED QUALITY SYSTEM

In 1990 Soilmec was awarded with the certification of its Quality System complying with ISO 9001:2000 standards.



SOILMEC S.p.A.

Drilling and Foundation Equipment

5819, via Dismano

47023 Cesena (FC) - Italy

tel. +39-0547-319111

fax +39-0547-318548

[http:// www.soilmec.it](http://www.soilmec.it)

e-mail: soilmec@soilmec.it



Stahl-und Apparatebau Hans Leffer Gmbh, Dudweiler, Pfählerstrasse 1, D-66125 Saarbrücken
Postfach 200360 • D-66044 Saarbrücken • Telefon 06897/793-0 • Telefax 06897/793330
e-mail: leffer-gmbh@t-online.de